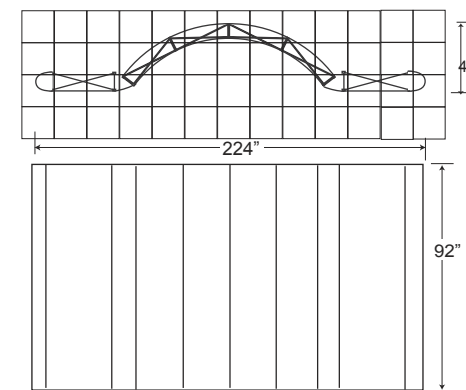
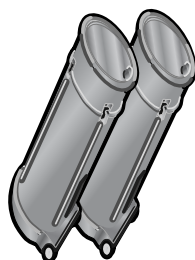
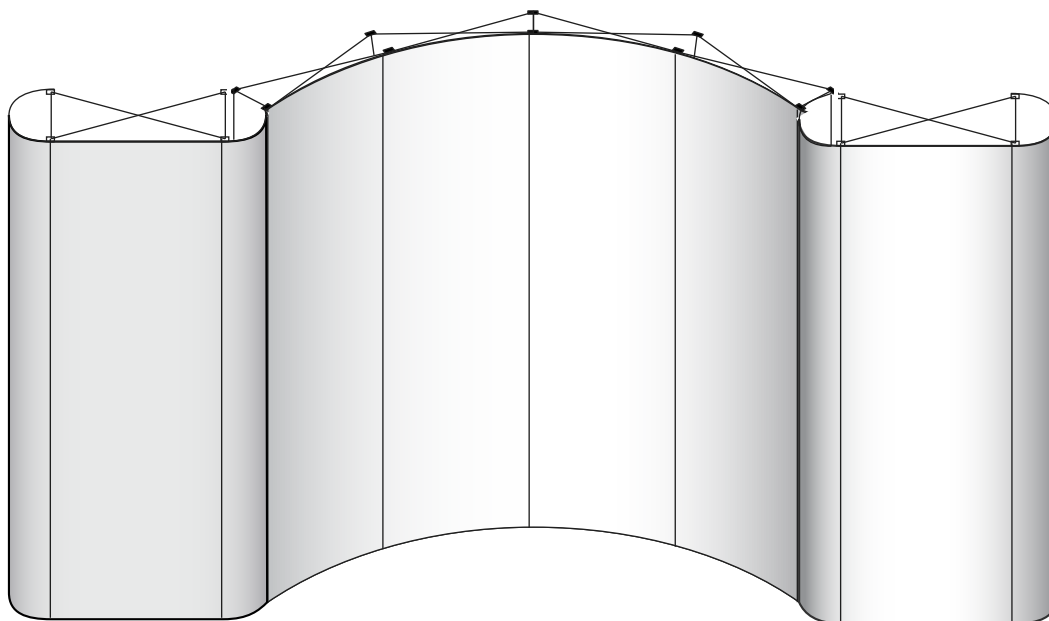


Vision

Vision 1000/2000 - 20' Curve Tower System #1

JCS3123



Plan View

US\$

Frame Package:

\$3,500.00

- 1 Curve Frame (12 Quads)
- 2 Straight Tower Frames (2-3 Quads)
- 15 Hinged Channel Bars
- 2 Oval Cases

Frame Package & End Caps:

\$4,155.00

- 1 Curve Frame (12 Quads)
- 2 Straight Tower Frames (2-3 Quads)
- 15 Hinged Channel Bars
- 2 Fabric Curve End Panels
- 2 Fabric Straight End Panels
- 2 Oval Cases

Complete System:

\$4,795.00

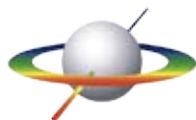
- 1 Curve Frame (12 Quads)
- 2 Straight Tower Frames (2-3 Quads)
- 15 Hinged Channel Bars
- 4 Fabric Curve Front Panels
- 2 Fabric Straight Panels
- 2 Fabric Curve End Panels
- 2 Fabric Straight End Panels
- 2 Oval Cases

**Complete System
& 2 Podium Conversion Kits**

\$5,195.00

Popular Options

- Halogen Light Kit (2 - 200W) \$295.00
- Halogen Spotlight (75W) \$95.00
- Convertible Shelf Kit \$75.00
- Backlit Header Kit with Lights \$350.00
- Change to 1-Oval & 2-Semi-Oval Cases + \$100.00



BENCHMARK IMAGING & DISPLAY
640 BUSSE HWY., PARK RIDGE, IL 60068
847.292.5150, FAX 847.292.5259
WWW.BENCHMARKIMAGING.COM